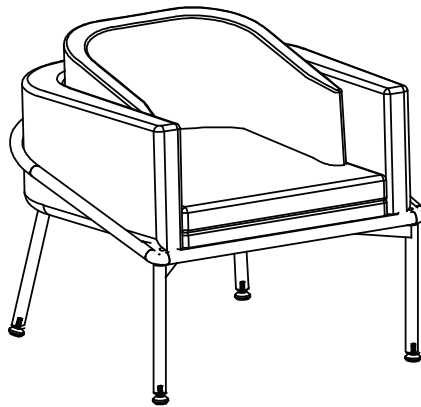


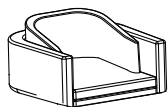
ROVECONCEPTS

Refined Luxury Living

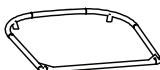


ANGELO LOUNGE CHAIR ASSEMBLY INSTRUCTIONS

HARDWARE



A



B



C

x2



D

x4



E

x4
M6*15



F

x4
M6*40



G

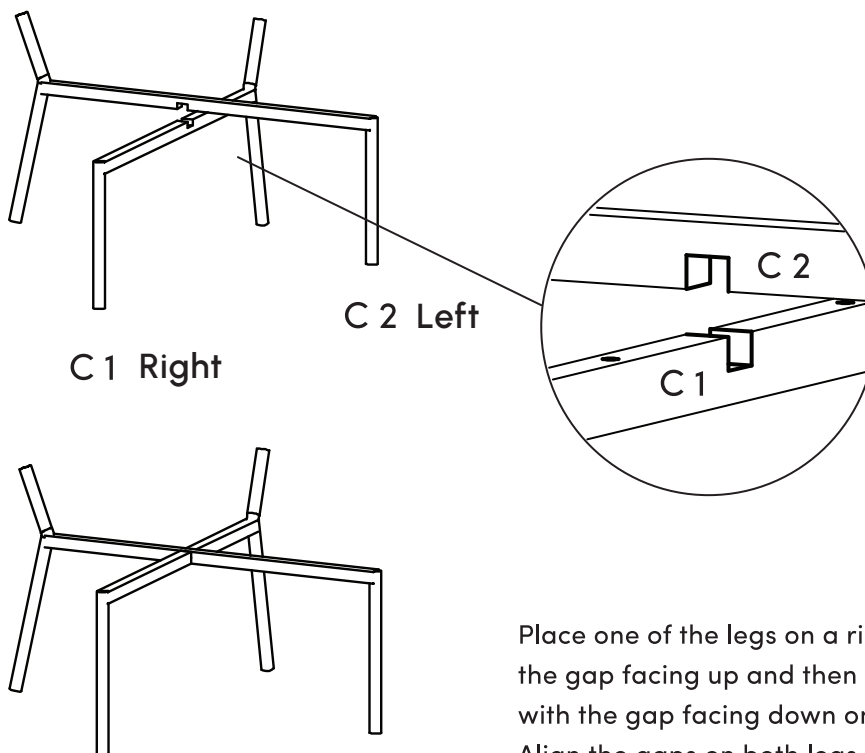
x1
M4



H

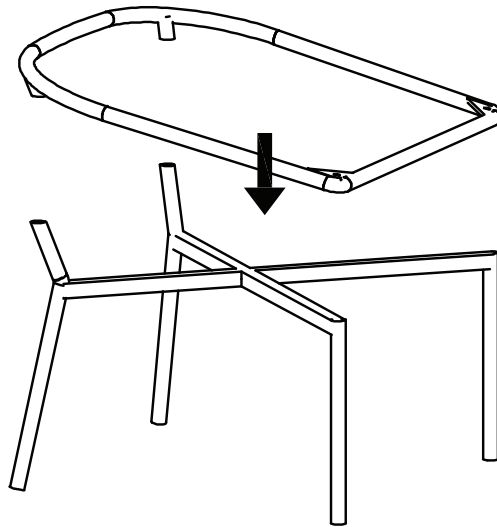
x4
Ø6*16

STEP 1

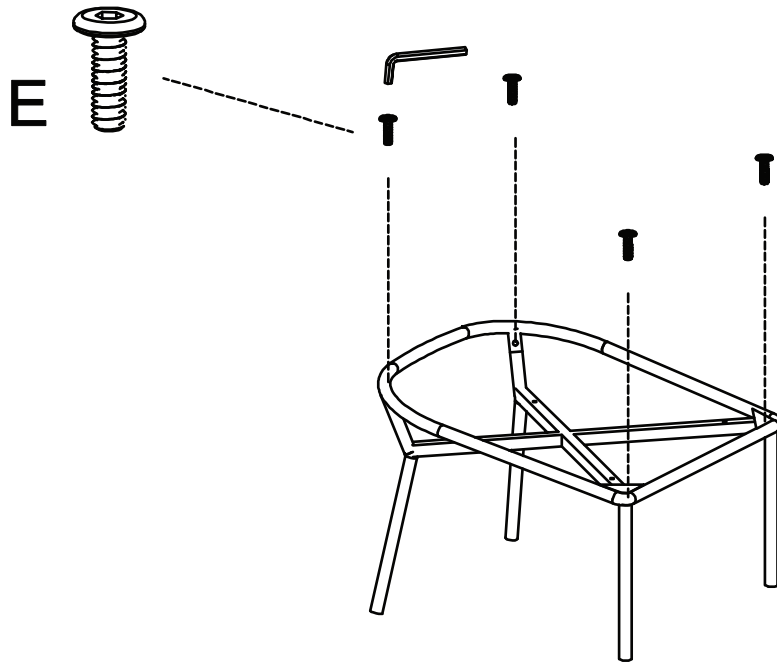


Place one of the legs on a right diagonal with the gap facing up and then place the other leg with the gap facing down on a left diagonal. Align the gaps on both legs and assemble.

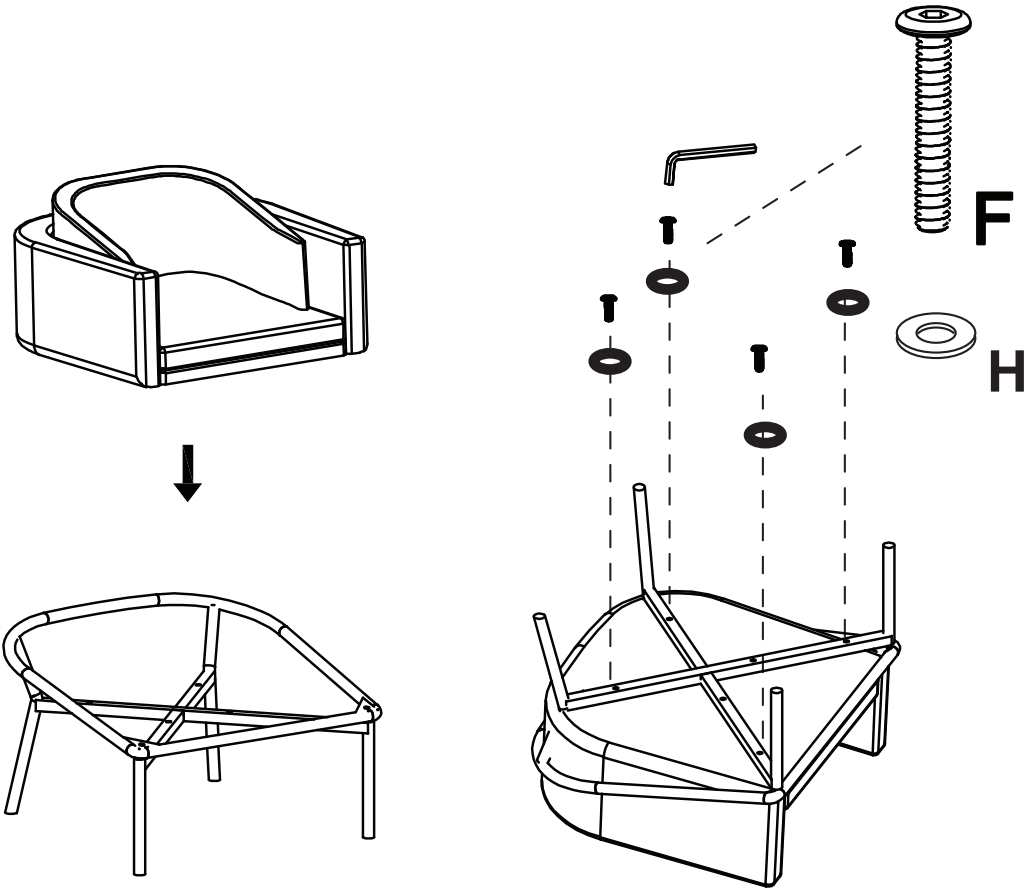
STEP 2



STEP 3



STEP 4



STEP 5

